

SSP1A150BDT

Harmony, Solid state relay, 50 A, panel mount, zero voltage switching, thermal pad, input 3...32 V DC, output 24...300 V AC



Product availability: Stock - Normally stocked in distribution facility

Price*: 37.54 USD



Main

Range of Product	Harmony Solid State Relays
Product or Component Type	Solid state relay up to 50 A
Provided Equipment	Thermal pad
Device short name	SSP1
Mounting Support	Panel
Phase	1 phase
Line Rated Current	50 A
Solid state output type	Zero voltage switching SCR output
Output switching mode	Zero voltage switching

Complementary

[Uc] control circuit voltage	3...32 V DC
Minimum switching voltage	3 V DC turn-on
Maximum switching voltage	1 V DC turn-off
Response time	0.5 cycle (turn-on) 0.5 cycle (turn-off)
Input current limits	10 mA at 12 V DC
Output voltage	24...300 V AC
Load current	0.15...50 A
Absolute maximum voltage	600 V
Surge current	625 A 16.6 ms
Maximum I ² t for fusing	1621 A ² .S for 8.33 ms at 60 Hz 1770 A ² .S for 10 ms at 50 Hz
Protection device type	Type 1 - 40 A miniature circuit breaker (MCB) B Type 2 - 32 A miniature circuit breaker (MCB) B
Maximum leakage current	1 mA off-state
Maximum voltage drop	<1.15 V on-state
DV/dt	500 V/μs off-state at maximum voltage

Cos phi	0.5 (with maximum load)
Maximum Horse Power Rating	0.75 Hp 120 V AC 2 Hp 240 V AC
Insulation resistance	1000 MOhm at 500 V DC
Capacitance unbalance	10 PF for input/output
Dielectric strength	4 KV AC for input/output 4 KV AC for input or output to case
[Uimp] rated impulse withstand voltage	6 KV output to case 6 KV input to output
Tightening torque	1.5...1.7 N.m for input 2...2.2 N.m for output
Connections - terminals	Screw terminals 0.2...3.3 mm ² , AWG 24...AWG 12) with cable end input Screw terminals 0.5...5.26 mm ² , AWG 20...AWG 10) with cable end output Screw terminals 0.2...3.3 mm ² , AWG 24...AWG 12) without cable end input Screw terminals 0.5...8.26 mm ² , AWG 20...AWG 8) without cable end output Forked type tag connectors 9.2 x 4 mm input Ring lugs 9.2 x 4 mm input Forked type tag connectors 11.7 x 4.5 mm output Ring lugs 11.7 x 4.5 mm output
Thermal resistance	0.45 °C/W junction to case
Thermal impedance	0.48 °C-in ² /W at 25 psi
Local signalling	LED, green input
IP degree of protection	IP20
Safety reliability data	MTTFd = 1875.9 years B10d = 1731395
Net Weight	3.15 Oz (89.2 g)
Device presentation	Complete product

Environment

Ambient Air Temperature for Operation	-40...176 °F (-40...80 °C)
Ambient Air Temperature for Storage	-40...257 °F (-40...125 °C)
Pollution degree	2
Overvoltage category	III
Product Certifications	CE UL EAC CSA
Marking	CE EAC CSA UL
Standards	EN/IEC 62314 CSA C22.2 No 14-13 EN/IEC 60950-1 UL 508

Ordering and shipping details

Category	22375 - INTERFACE MODULE(ABA,R,S)
Discount Schedule	CP2
GTIN	03606485442051
Nbr. of units in pkg.	1
Package weight(Lbs)	3.53 Oz (100 g)
Returnability	Yes
Country of origin	MX

Packing Units

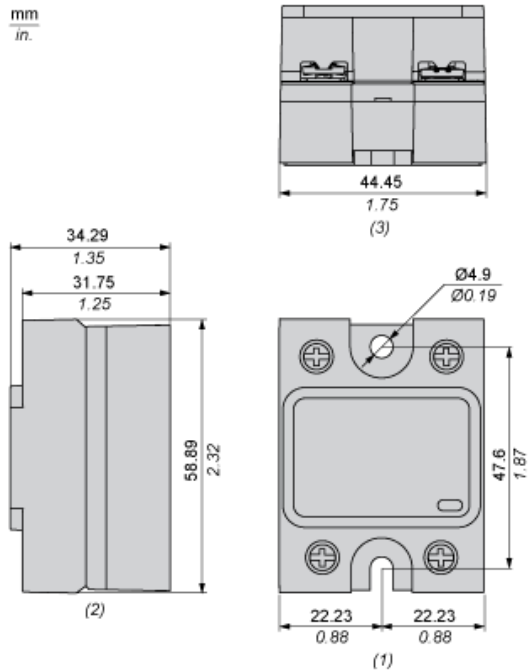
Unit Type of Package 1	PCE
Package 1 Height	1.50 In (3.8 cm)
Package 1 width	1.89 In (4.8 cm)
Package 1 Length	2.56 In (6.5 cm)

Offer Sustainability

Sustainable offer status	Green Premium product
California proposition 65	WARNING: This product can expose you to chemicals including: Lead and lead compounds, which is known to the State of California to cause cancer and birth defects or other reproductive harm. For more information go to www.P65Warnings.ca.gov
REACH Regulation	REACH Declaration
EU RoHS Directive	Pro-active compliance (Product out of EU RoHS legal scope) EU RoHS Declaration
Mercury free	Yes
RoHS exemption information	Yes
China RoHS Regulation	China RoHS Declaration
Environmental Disclosure	Product Environmental Profile
Circularity Profile	End Of Life Information

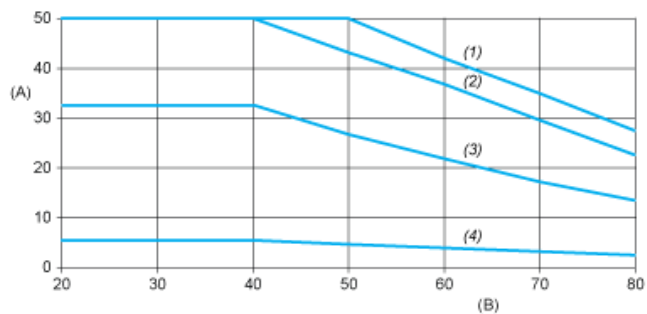
Dimensions

mm
in.



- (1) Front view
- (2) Side view
- (3) Bottom view

Derating Curves



- A : Load Current (Arms)
- B : Ambient Temperature (°C)
- (1) For Heatsink SSRHP07
- (2) For Heatsink SSRHD10
- (3) For Heatsink SSRHP17
- (4) No Heatsink

Product Life Status : Commercialised